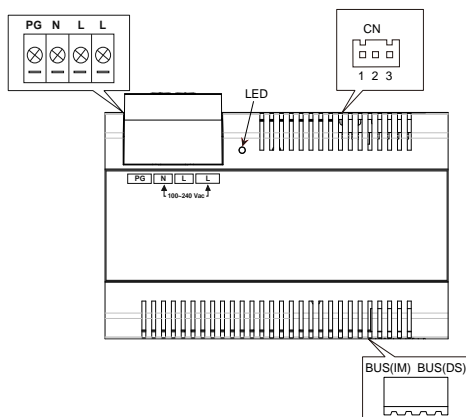


## 1. Introduction:

The PC6A is a power comb unit, which is designed for DT 2 wire system to supply power for outdoor station, indoor monitor and other accessories. It can work both as a normal power comb and auxiliary power comb. The features are as follows:

- Universal AC input/full range
- Multi protection: short circuit, overload, over voltage
- Integrated with DT-DPS(power separator), Additional DT-DPS is not needed.
- Support up to 4~8 monitors(depend on models)
- DIN rail mounting

## 2. Terminal Description:



**PG:** Earth ground port.

**N:** AC input.

**L:** AC input.

**LED:** power indicator, always on when plug in power.

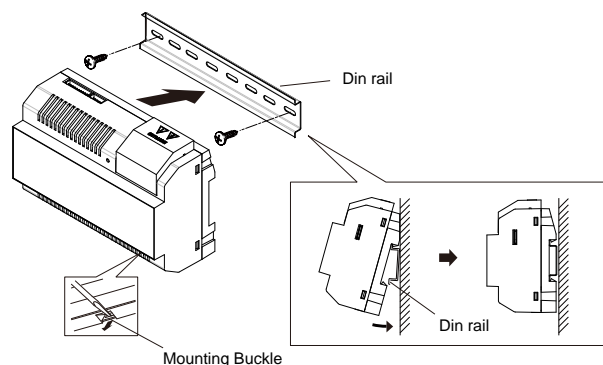
**CN:** bus control terminal.

**BUS(IM):** indoor monitor connection terminal.

**BUS(DS):** door station connection terminal.

## 3. Mounting:

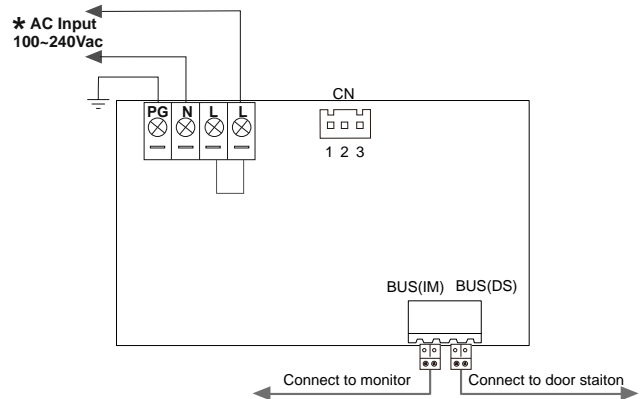
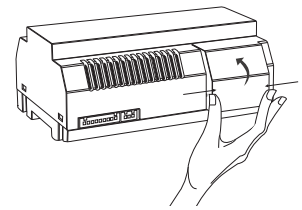
- Step1: Mount the din rail to the wall with screws ;  
 Step2: Pull down the mounting buckle, then hang the unit on din rail.



## 4. Wiring:

Open the AC cover:

1. push the cover bottom towards the center with your hand;
  2. turn over and pull it out.
- After connect the AC cable, it is suggested to close the cover.



### Note:

1. the AC cable is not included in the package, it must comply with requirements of different country.
2. pin1&2 should be short-circuited with a C3-3P line(included in the package) if the unit work as a normal power comb. But if it work as a auxiliary power comb, pin 1&2 should be taken off.

## 5. Specification:

|                        |                |
|------------------------|----------------|
| Input Voltage:         | 100~240Vac     |
| Input Frequency:       | 50~60Hz        |
| Rated Output Voltage:  | DC 26V±2V      |
| Rated Output Current:  | 1.5A           |
| Working Temperature:   | -20°C~55°C     |
| SW Port Input Voltage: | Max.230Vac, 2A |
| Dimension:             | 140*90*60mm    |

## 6. Warning:

- The unit can only be used in DT 2 wire products supplied by our company.
- Don't connect the unit with any non-specified power source. Fire or electric shock could result.
- Don't dismantle or alter the unit. Fire or electric shock could result.
- The unit must be installed and wired by a qualified technician.
- Keep the unit away from water or any other liquid. Fire or electric shock could result.