

Power Supply---PS5-24V

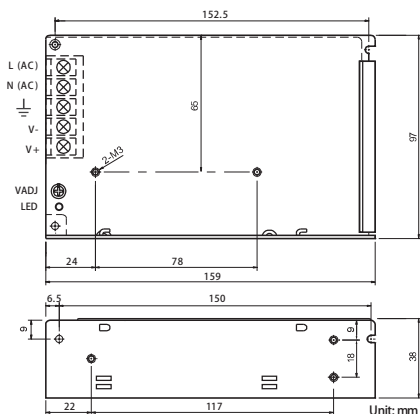
PS5 - Power Supply

The PS5 power supply unit is design for DT system to supply Max. 32 Monitors and Max. 4 Door Stations at the same time, dependinon different envinroments.

- Universal AC input/full range.
- Multi protation: short sircuit, overload, over voltage
- Cooling by free air convection
- DIN bar mounting.



1. Dimension and Terminal



- L(AC): AC input.
- N(AC): AC input.
- \perp : Earth Ground.
- V-: DC power output.(21.5~26.5 adjustable)
- V+: DC power output.(21.5~26.5 adjustable)
- VADJ: Output voltage adjustment.
- LED: Working state indicatia

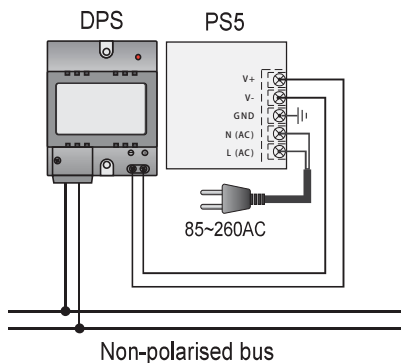
2. Installation

Fix the PS5 and DPS and the bar together. Note they MUST installed side by side on the DIN bar.



3. Wiring

The PS5 can not be connected to the system directly, it must acompany withDPS(power supply adaptor),and the power will supply via the non-polarised bus to the devices over the system. Note that the V- must connect to the V+ of the DPS, theV- must connect to the - of the DPS.



Electronic Specifications

InputVoltage:	85~260Vac, 120~370Vdc
Input Frequency:	47~63 Hz
Leakage Current:	>2mA / 240Vac
AC current (TYP.)	1.5A /150Vac, 0.9A / 230Vac
OutputVADJ range:	21.5~26.5 Vdc adjustable
Rated Voltage:	24Vdc
Rated Current:	3.2A
Rated Power:	76.8W