

Waterproof IP 68

Metal case, anti-vandal

WG interface: WG26 input/output with doorbell support and interface: bottom and circuit segregate, any doorbell can be connected

Multi-function Standalone Access controller and reader

Capacity: 2000 cards/codes

Three accesses: card, pin, card+pin

Metal waterproof Standalone Keypad

User Manual



Please Read the manual carefully before use this device

1. Description

The unit is a simple standalone keypad, also can be used as a wiegand keypad reader. This unit supports up to 2000 pin users, 4 digits PIN. It can be used as door access such as small shops, domestic households, factories, warehouses, laboratories.

2. Features

- Zinc Alloy shell, anti-vandal
- Full programming from the keypad
- 2000 users, 4 digits PIN
- Can be used as a wiegand keypad reader
- Backlight keys
- Wiegand 26 input for connection to external reader
- Wiegand 26 output for connection to a controller
- Adjustable Alarm time, Door Open time
- Very low power consumption (30mA)
- Fast operating speed, <20ms with 2000 users
- Easy to install and program
- Built in light dependent resistor (LDR) for anti tamper
- Built in buzzer
- Red, Yellow and Green LEDES display the working status

3. Specifications

Operating Voltage	DC 12V \pm 10%
User Capacity	2000 PIN users
Active Current	<60mA
Idle Current	25 \pm 5 mA

Lock Output Load	Max 3A
Alarm Output Load	Max 20A
Operating Temperature	-45°C ~ 60°C
Operating Humidity	10%- 90% RH
Waterproof	Conforms to IP68
Adjustable Door Relay time	0 -99 seconds

4. To Reset to Factory Default

- a. Disconnect power from the unit
- b. Press and hold # key whilst powering the unit back up
- c. On hearing two “Di” release # key, system is now back factory settings

Please note only installer data is restored, user data will not be affected

5. Detailed Programming Guide

Enter the Programming Mode:

Press

999999 is the default factory master code.

change the master code:

Press

Note: The master code can be 6 to 8 digits long, please remember it.

5.1 Add user:

The ID number is any number between 1 & 2000. The PIN is any four digits between 0000 & 9999 with the exception of 1234 which is reserved. Users can be added continuously without exiting programming mode as follows:

5.2 Delete User

Press ...

If need delete all users, Press

Note that this is a **dangerous** option so use with care

5.3 Relay Output Delay Time:

Press

Note: 0-99 is to set the door relay time 0-99 seconds; the factory default is 5 seconds.

5.4 Alarm time setting:

Press

Note: To set the alarm output time (0-3 minutes); the factory default is 1 minute

5.5 door open detection setting:

Door Open Too Long (DOTL) warning. When used with an optional magnetic contact or built-in magnetic contact of the lock, if the door is opened normally, but not closed after 1 minute, the inside buzzer will beep automatically to remind people to close the door and continue for 1 minute before switching off automatically.

Door Forced Open warning. When used with an optional magnetic contact or built-in magnetic contact of the lock, if the door is forced open, or if the door is opened after 20 seconds, the inside buzzer and alarm output will both operate. The Alarm Output time is adjustable between 0-3 minutes with the default being 1 minute.

To disable door open detection:

(Factory default)

To enable door open detection:

5.6 Keypad Lockout & Alarm Output options.

If there are 10 invalid cards or 10 incorrect PIN numbers in a 10 minute period either the keypad will lockout for 10 minutes or both the alarm and the inside buzzer will operate for 10 minutes, depending on the option selected below.

Normal status:

No keypad lockout or alarm (factory default)

Keypad Lockout:

Alarm and inside buzzer operate:

6. User operations

6.1 change pin:

6.2 unlock the door:

Enter the then press

7 Remove the alarm

7.1 To reset the Door Forced Open warning:

7.2 To reset the Door Open Too Long warning: Close the door or

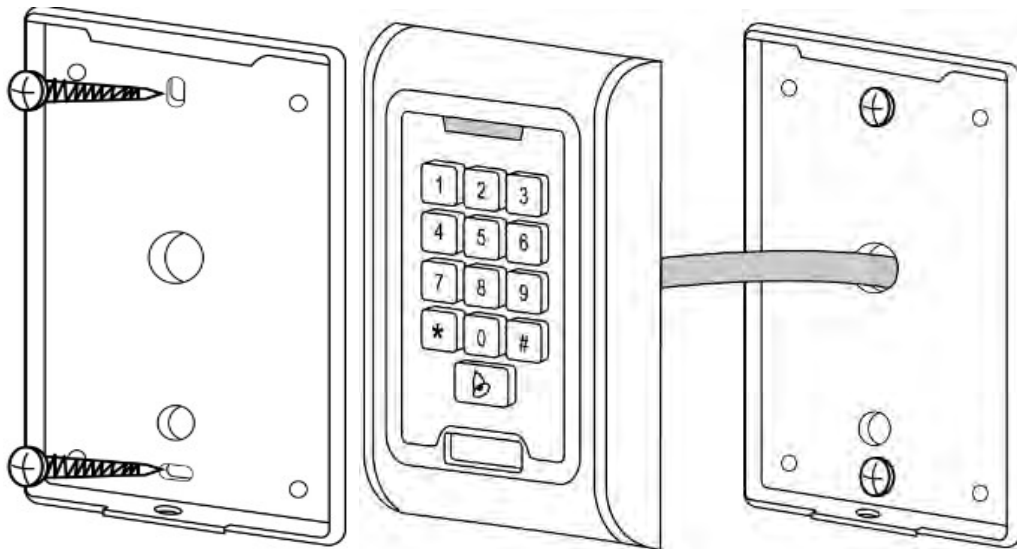
8.Sound and Light indication

Operation Status	Red Light	Green Light	Yellow Light	Buzzer
Power on	-	Bright	-	Di
Stand by	Bright	-	-	-
Press keypad	-	-	-	Di
Operation successful	-	Bright	-	Di
Operation failed	-	-	-	DiDiDi
Enter into programming mode	Bright	-	-	
In the programming mode	-	-	Bright	Di
Exit from the programming mode	Bright	-	-	Di
Open the door	-	Bright	-	Di
Alarm	Bright	-	-	Alarm

9. Installation

- Remove the back cover from the keypad using the supplied special screw driver
- Drill 2 holes on the wall for the Self tapping screws and 1 hole for the cable
- Put the supplied rubber bungs to into the two holes
- Fix the back cover firmly on the wall with 2 Self tapping screws
- Thread the cable through the cable hole

- Attach the keypad to the back cover.

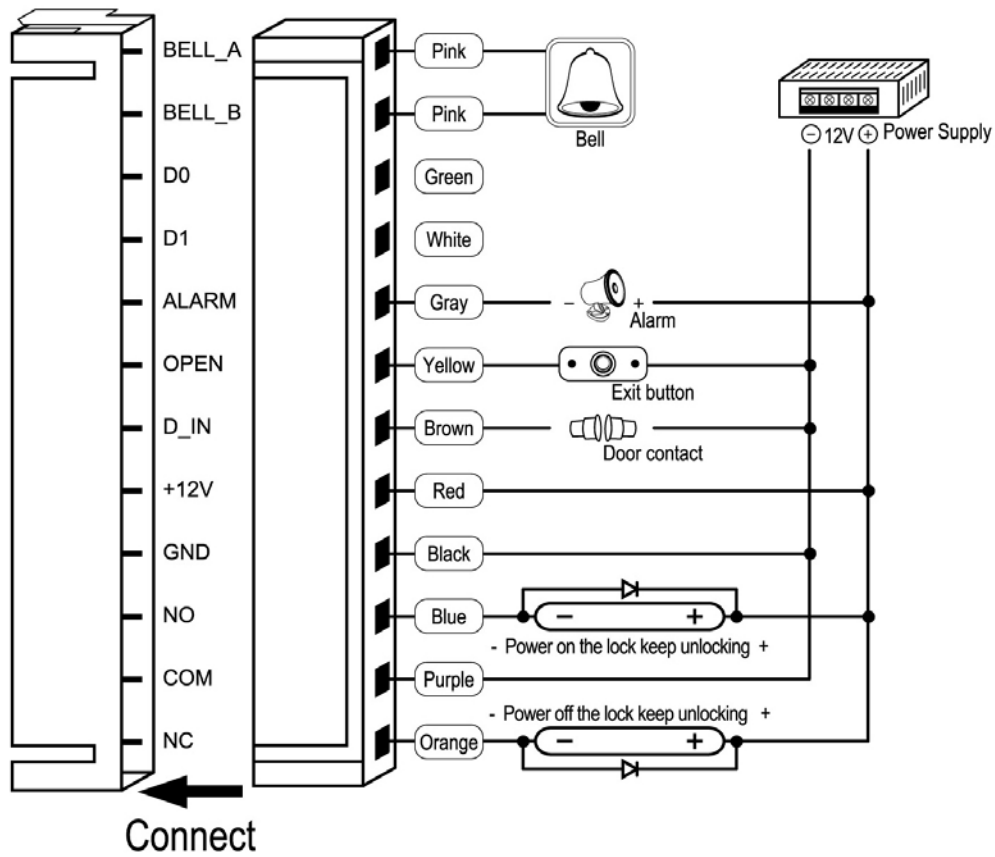


10. Wiring

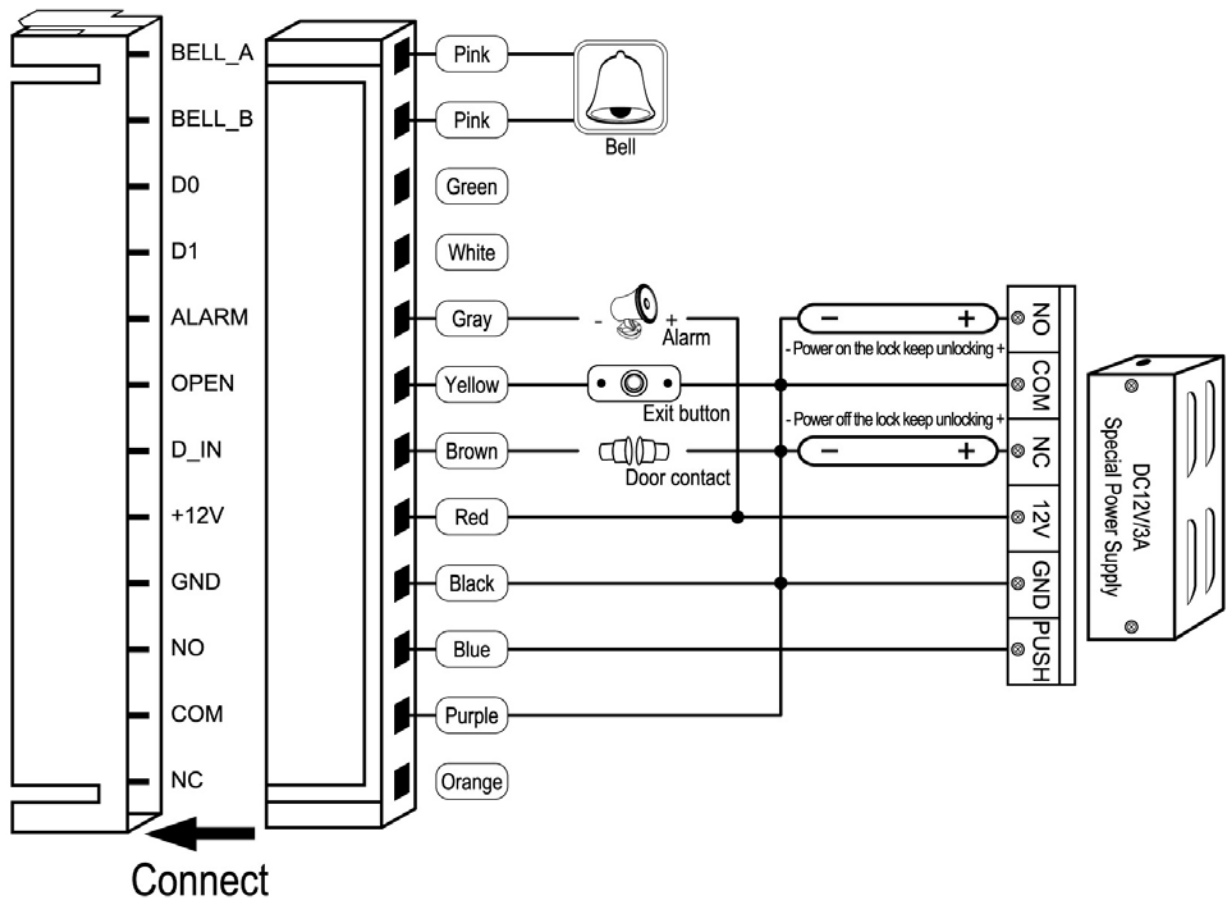
No.	Colour	Function	Description
1	Pink	BELL_A	Doorbell button one end
2	Pink	BELL_B	Doorbell button to the other end
3	Green	D0	WG output D0
4	White	D1	WG output D1
5	Grey	ALARM	Alarm negative(alarm positive connected 12 V+)
6	Yellow	OPEN	Exit button one end(the other end connected GND)
7	Brown	D_IN	Magnetic switch one end(the other end connected GND)
8	Red	12V+	12V + DC Regulated Power Input
9	Black	GND	12V - DC Regulated Power Input
10	Blue	NO	Relay normally-on end(Connect positive electric lock "-")
11	Purple	COM	Relay Public end, connect GND
12	Orange	NC	Relay Closed end(connect negative electric lock "-")

11. Wiring diagram

11.1 common power supply diagram:

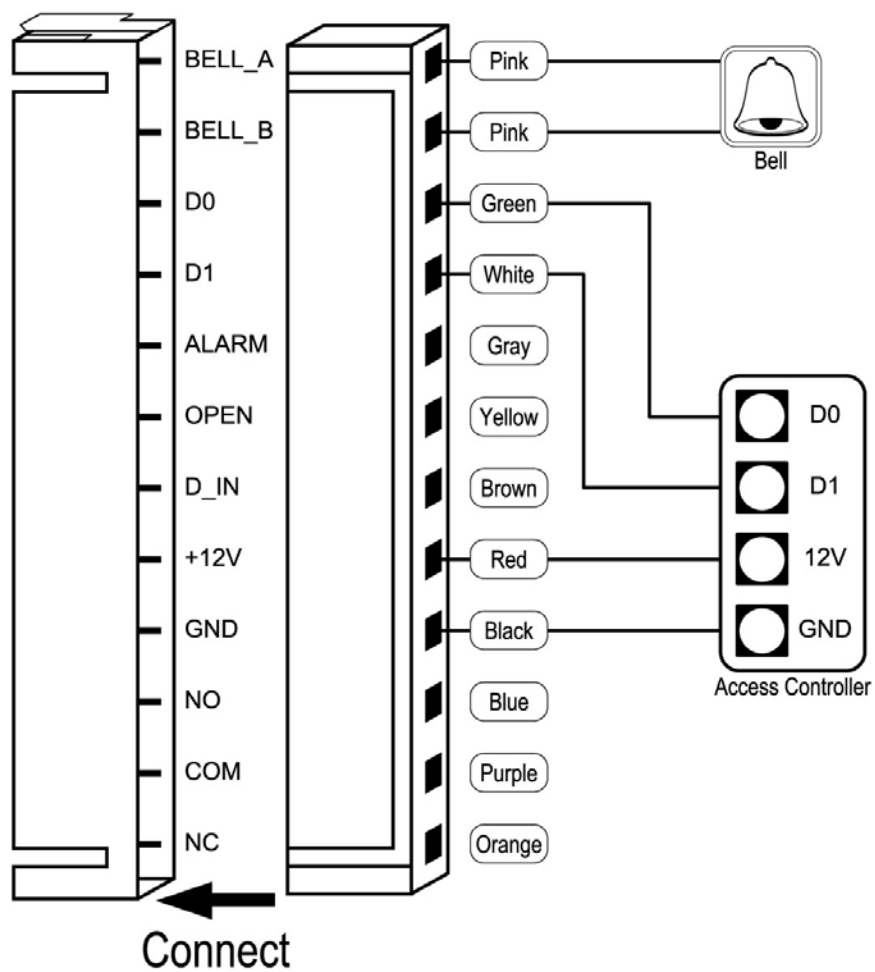


11.2 special power supply diagram:



12. As a Wiegand Keypad Reader

In this mode the unit supports a Wiegand 26 bit output so the Wiegand data lines can be connected to any controller which supports a Wiegand 26 bit input.



14 Packing list

Name	Quantity	Remarks
Keypad	1	
User manual	1	
Rubber plug	2	Φ6mm×30 mm
Self tapping screws	2	Φ4mm×28 mm
Diode	1	IN4004